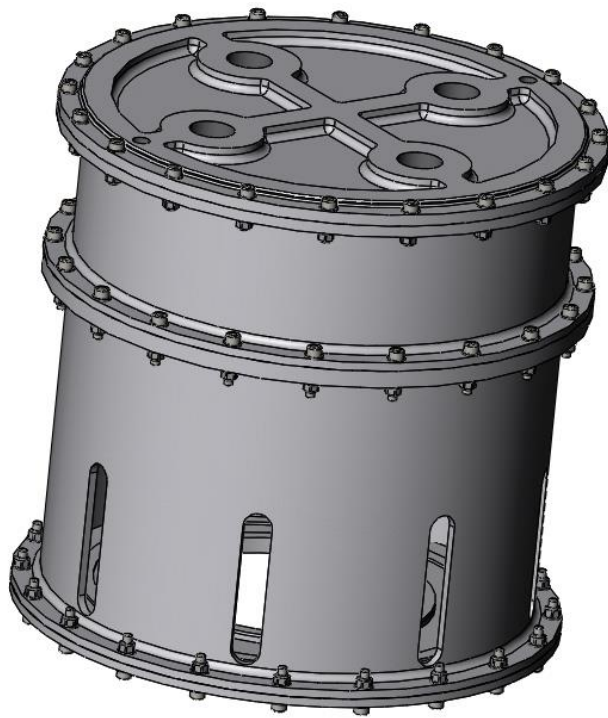


DragonROV

Intelligent Subsea Equipment



Description:

Rolling bladder type reservoirs for the storage of fluid subsea. Predominantly used as reservoirs in subsea hydraulic systems, these mildly pressurised units ensure reliable fluid feed to subsea pumps and eliminate risk of cavitation or suction hose collapse.

Hydraulic Reservoir 15750cc version

MAIN FEATURES

- Corrosion resistant
- 15750cc volume
- Aluminium body with rubber diaphragm and stainless steel spring

Further Information

Advanced spares kits also available

Equipment supplied

Standard supply includes

- 15750cc reservoir unit.
- Operating manual



info@DragonROV.com

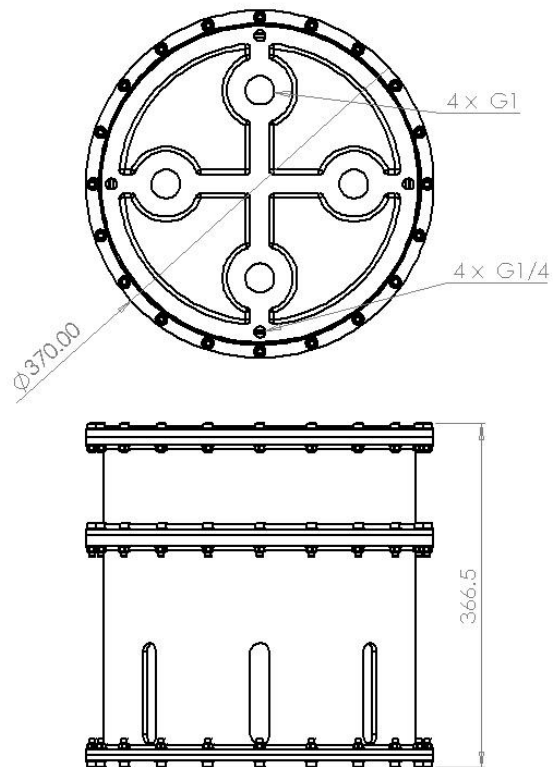
Specifications

Weight in Air

..... TBC

Weight in Sea water

..... TBC



Options

- Aluminium, Stainless steel, and duplex versions available

Information contained in this data sheet is up-to-date and correct as at the date of issue. All product designs, specifications and data are subject to change without notice to improve reliability, function, design or otherwise. No express or implied warranties are given.