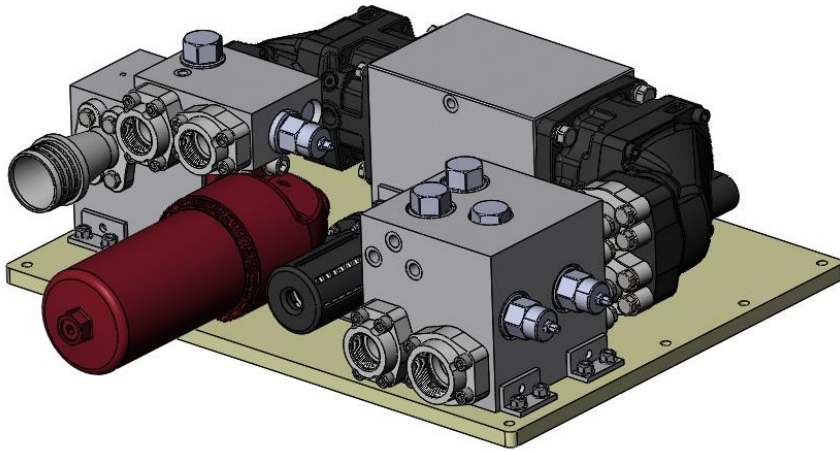


DragonROV

Intelligent Subsea Equipment



Description:

Built using a combination of a pump/motor unit, motor control manifold, and an oil conditioning manifold, a complete self-contained dirty work pack system is constructed. The complete system is assembled on a standalone panel for easy installation within an ROV or as part of an underslung or backpack ROV skid.

Dirty Work Pack System 300L/min output

MAIN FEATURES

- Versatile modular construction
- Outputs in excess of 300L/min achievable.
- Pilot selectable high and low flow settings
- Output pressure relief valve (manually adjustable)
- Automatic startup valve
- Output pressure filter (5um standard)
- None return check valve
- SAE hose connection flanges allow easy adaptation to differing hose connection types

Further Information

Advanced spares kits also available

Equipment supplied

Standard tool supply includes

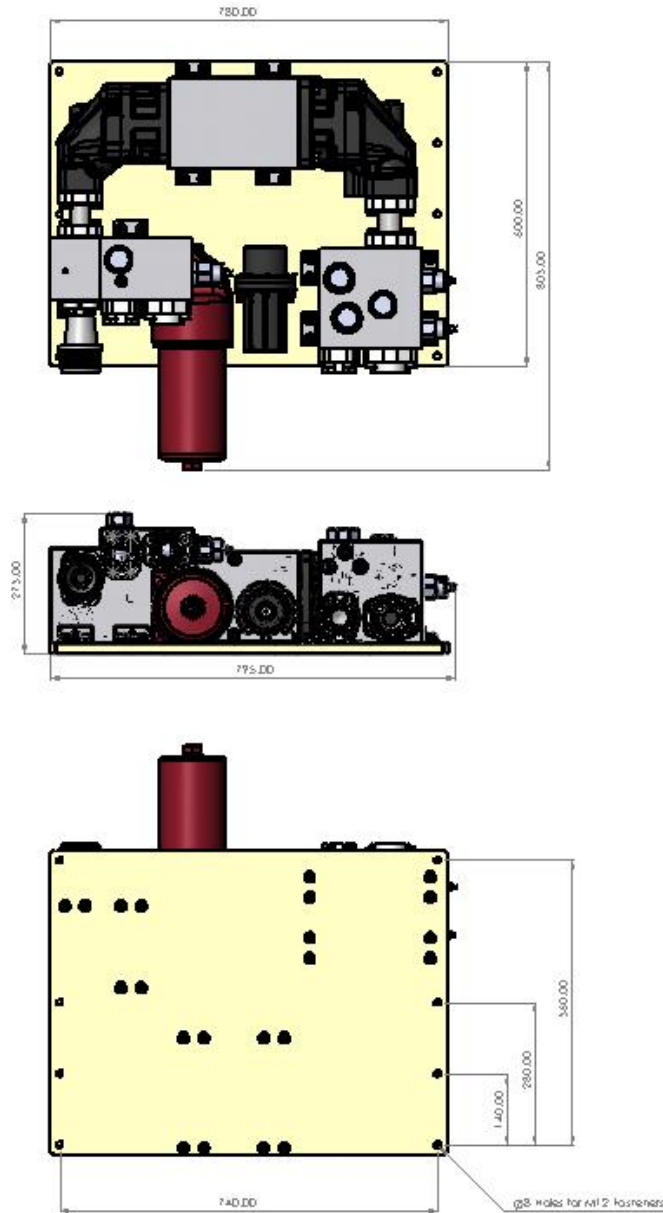
- DWP System
- Operating Manual
- Basic spares kit (valve set and filter)



info@DragonROV.com

Specifications

Weight in Air	TBC
Weight in sea water	TBC
Hydraulic pilots required	2



Optional additions

- System performance feedback manifold
- Distributed control system

Information contained in this data sheet is up-to-date and correct as at the date of issue. All product designs, specifications and data are subject to change without notice to improve reliability, function, design or otherwise. No express or implied warranties are given.