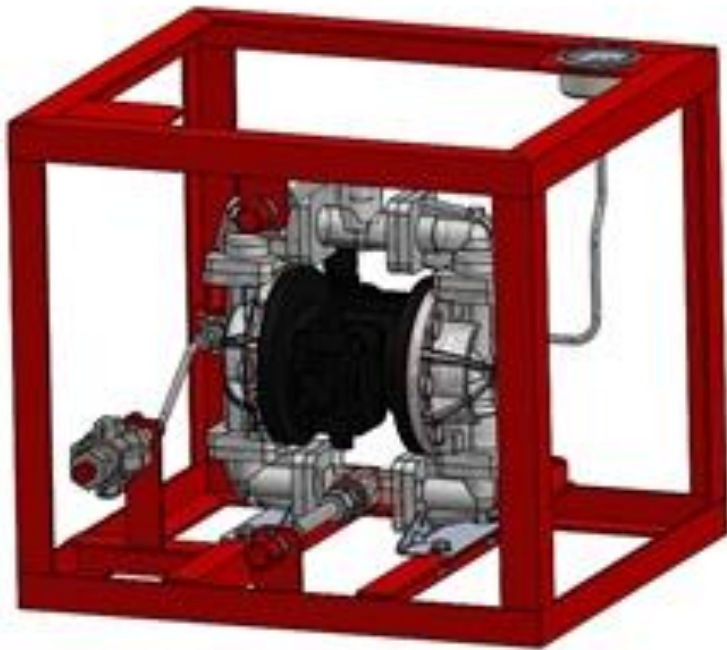


DragonROV

Intelligent Subsea Equipment



Description:

The fluid transfer pump is used for transfer fluid from the general transport container – normally an IBC, to the deployment container – a subsea bladder or reservoir. Air driven for safety and control this pump can handle a variety of fluids including oil, water, sea water, glycol, and optionally methanol.

Air driven fluid transfer pump

MAIN FEATURES

- 7 bar max output pressure
- Self priming
- Hand carry protection frame
- Air shut off valve
- Air pressure regulator

Further Information

Advanced spares kits also available

Equipment supplied

Standard tool supply includes

- Diaphragm pump unit
- 20m air supply hose
- Operating Manual



info@DragonROV.com

Specifications

Weight	TBC
Max output pressure	7 bar
Suction head	7.5m

Information contained in this data sheet is up-to-date and correct as at the date of issue. All product designs, specifications and data are subject to change without notice to improve reliability, function, design or otherwise. No express or implied warranties are given.