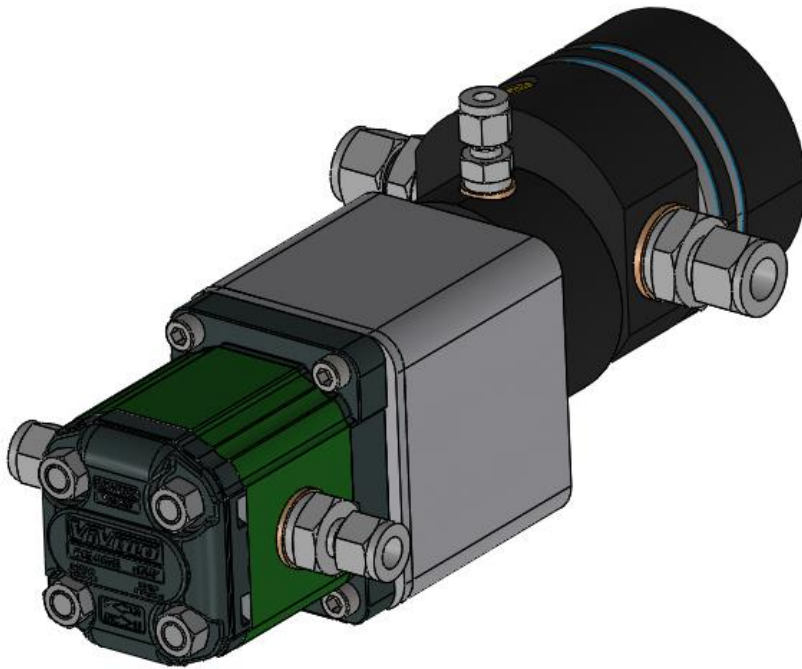


DragonROV

Intelligent Subsea Equipment



Description:

A hydraulic pump/motor combination specifically sized to give a very low flowrate in order to give precise dosing rates for adding additives to a second media, often corrosion inhibitor to seawater. Pump is of full stainless steel construction.

Subsea Hydraulic Gear Dosing Pump

MAIN FEATURES

- Hydraulically driven
- Full chemical/hydraulic isolation
- Upto 210bar injection pressure
- Easy to maintain

Further Information

Advanced spares kits also available

Equipment supplied

Standard tool supply includes

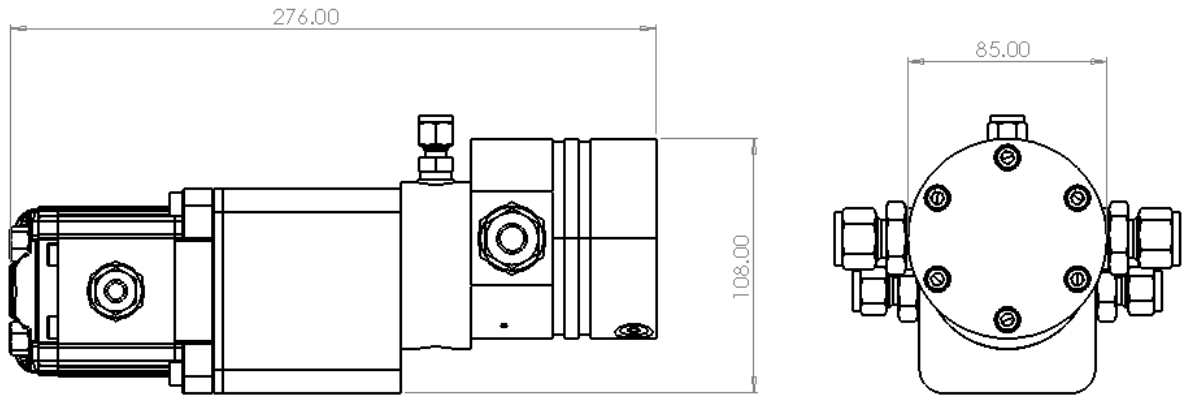
- Pump Unit
- Operating Manual
- Basic Spares



info@DragonROV.com

Specifications

Weight in Air TBC
Weight in sea water TBC



Optional additions

- Various hose connection types available