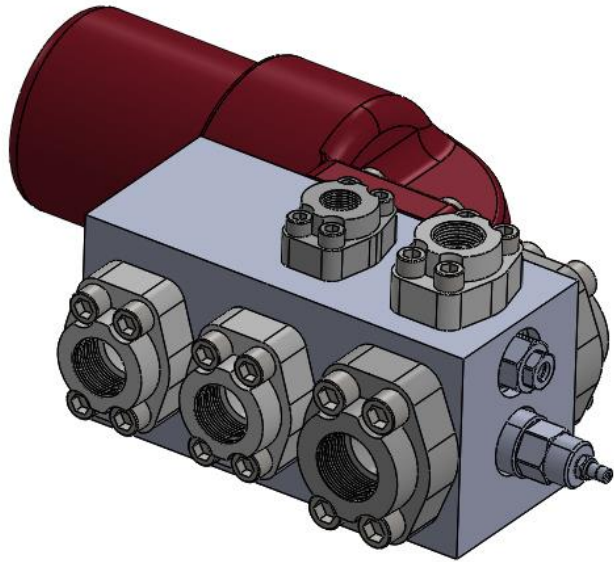


# DragonROV

Intelligent Subsea Equipment



All in one manifold for the control of output oil from a subsea auxiliary or dirty work pack pump. Principally designed to reduce space in subsea hydraulic systems but also to increase reliability by eliminating a significant number of pipes and joints between components, reducing complexity, and simplifying maintenance.

## Oil conditioning manifold

### MAIN FEATURES

- 3000psi/210bar pressure rated
- Non-return check valve
- Filtration with by-pass check valve
- Safety pressure relief valve
- Pressure reducing valve

### Further Information

Advanced spares kits also available

### Equipment supplied

Standard tool supply includes

- Manifold Assembly
- Operating Manual
- Basic Spares



info@DragonROV.com