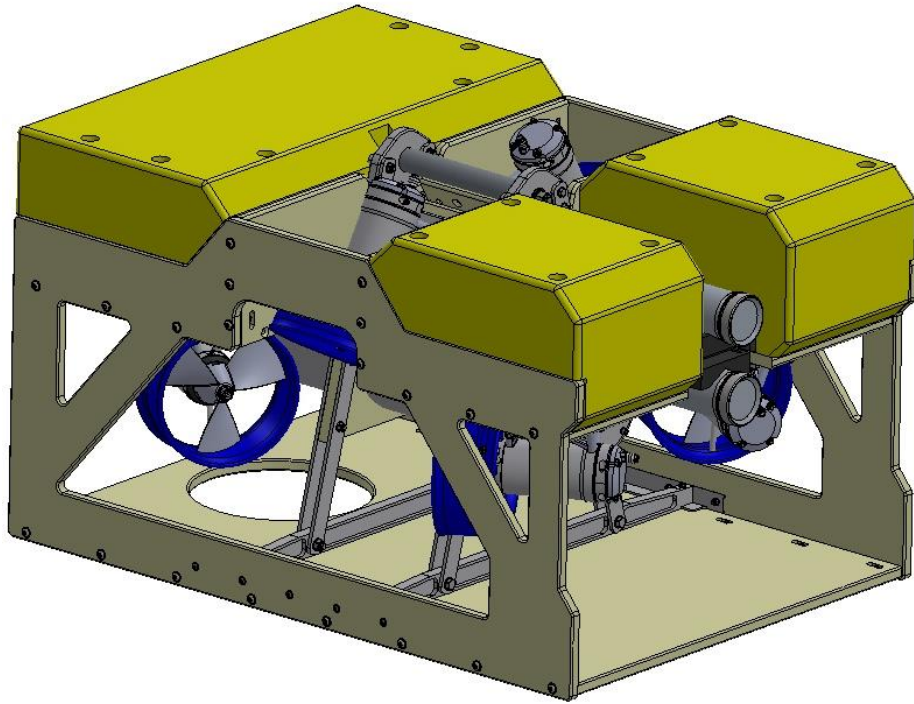


DragonROV

Intelligent Subsea Equipment



Description:

A powerful electric ROV built for aggressive offshore applications. Capable of operating at depths of up to 1000m in free flying setup, and 3000m with a TMS.

Rhaegal electric ROV

MAIN FEATURES

- Powerful DC thrusters
- Lightweight frame
- High payload and expandability
- High electrical power availability for sensors and equipment

Further Information

Advanced spares kits also available

Equipment supplied

Standard vehicle supply includes

- Vehicle assembly c/w load tested frame, 6 x ELT220 thrusters, tether junction box, thruster and JB compensators, tilt unit, and tilting camera mounting saddle.
- Topside power supply depending on configuration and system setup.
- Topside control PC, c/w vehicle control software.
- Topside control unit.
- Rack mounted power control and monitoring module.

Rhaegal Specifications

Dimensions

Length (mm).....	1200
Width (mm).....	850
Height (mm).....	700
Depth Rating (m).....	3000
Weight in Air (Kg).....	400
Payload Capacity (Kg).....	120
Power.....	15kW
Thrusters Horizontal (mmØ).....	4 x ELT220
Thrusters Vertical (mmØ).....	2 x ELT220
Bollard Pull (Nominal)	
Forward (Kgf).....	160
Lateral (Kgf).....	160
Vertical (Kgf).....	100
Surface Speed (nominal).....	4.1 Knots

Standard System Equipment

- Fiber optic telemetry
- Twin Camera Tilt Unit
- 3off LED Light units
- Depth Transducer
- Recovery Lift Point

Optional Equipment

- Cameras – various third party options.
- HD cameras – various third party options.
- Sonar unit - various third party options.
- Altimeter
- CP Probe
- 3 Function Electric Manipulator
- Hydraulic power unit
- Cleaning Brush
- Acoustic Transponder
- Recovery Beacon and Flasher
- Recovery Bullet & Lock Latch
- Auto-positioning features (station keeping, waypoint following, return to location) when suitable DVL and gyrocompass are fitted.

Control System

- Windows PC based control system with power management, diagnostics and auto-position capability

Features

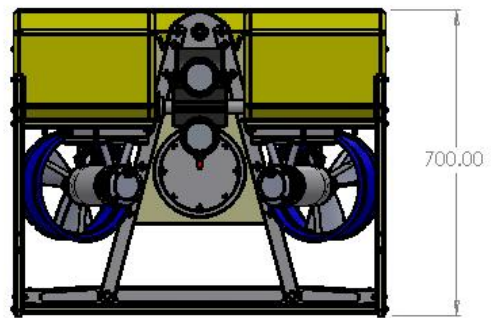
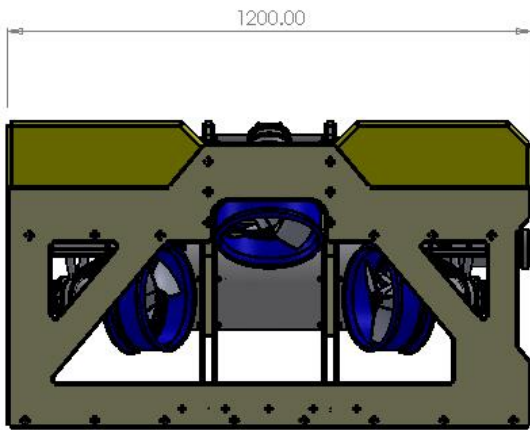
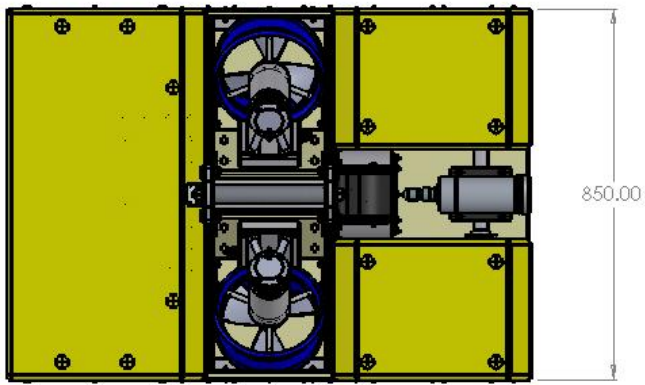
- Windows Based Software
- Graphical status and fault locator
- Real-time Optical Multiplexer, video condition and fault monitoring
- User preset positioning of Camera tilt unit

Telemetry

- 2 x Real-time PAL & NTSC video channels
- Spare digital and analogue I/O's dependent on requirements and equipment fitted.
- Ethernet/RS232 option

Additional System options

- Electric or hydraulic storage Winch
- Control Cabin
- Certified/Zone rated Winch/Cabin
- Integrated Pilot Chair
- Graphics/Vision/Sonar monitors
- Video Overlay/Switching/Recording
- Workskids (Tooling, Survey, etc)



Information contained in this data sheet is up-to-date and correct as at the date of issue. All product designs, specifications and data are subject to change without notice to improve reliability, function, design or otherwise. No express or implied warranties are given.