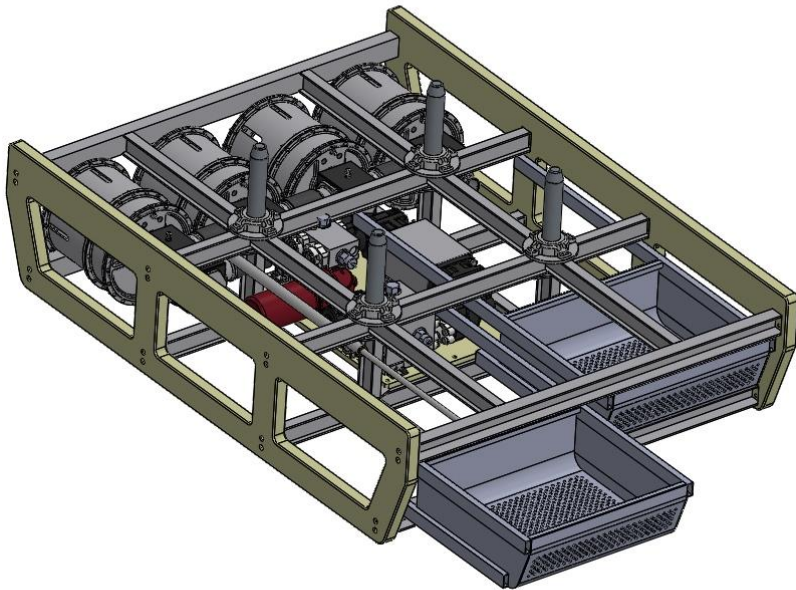


# DragonROV

Intelligent Subsea Equipment



System above shown without buoyancy for clarity

## Description:

An ROV skid fitted with a high capacity hydraulic supply system capable of outputs in excess of 300L/min. The skid features a retractable hydraulic sliding basket for the placement of hydraulic hotstabs, and the stowage of the connecting hose, or other tools.

## Work Class Hydraulic power pack skid.

### MAIN FEATURES

- Sliding tool basket.
- Close to neutral overall buoyancy.
- Skid load tested to 3g and 16T compression load.
- Over 63 litres of oil reservoir capacity.
- Space for seabed tracking sensors such as a DVL and/or altimeter.
- Design adaptable to specific vehicle sizes at no additional cost.

### Further Information

Advanced spares kits also available

### Equipment supplied

Standard tool supply includes

- ROV Skid Assembly
- Operating Manual
- Basic Spares



info@DragonROV.com

## Specifications

Weight in Air	.....	1300kg
Weight in sea water	.....	40kg
ROV hydraulic functions required	.....	3
Max hydraulic output pressure	.....	210bar standard, 350bar optional.
Max hydraulic flow	.....	In excess of 300 l/min

## Optional extras

- Onboard valve pack for control independent of the vehicle hydraulics.
- Feedback manifold for possible pressure, reservoir level, and output flow feedback.

Information contained in this data sheet is up-to-date and correct as at the date of issue. All product designs, specifications and data are subject to change without notice to improve reliability, function, design or otherwise. No express or implied warranties are given.