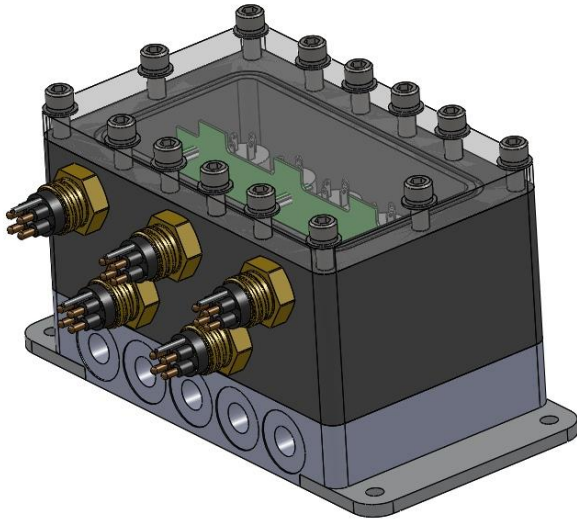


DragonROV

Intelligent Subsea Equipment



Description:

Feedback manifold that houses internal pressure transducers and has additional connections to external pressure transducers, flowmeters, or similar sensors. Any industry available sensor with a 4-20mA current or voltage output can be connected. Sensors are constantly monitored, and readings sent on a serial data string immediately on power up without command.

Hydraulic sensor feedback manifold

MAIN FEATURES

- Serial RS232 communications.
- Anodised aluminium construction
- Adaptable mounting brackets
- Internal compensated housing for 5 pressure transducers
- Additional connection for 3 external sensors
- Automatic sensor scanning and data transmission on powerup without external command.
- Easy to understand protocol with check sum calculation for reliable data transmission.
- Free, easy to use software supplied to display sensor output.

Further Information

Advanced spares kits also available

Equipment supplied

Standard tool supply includes

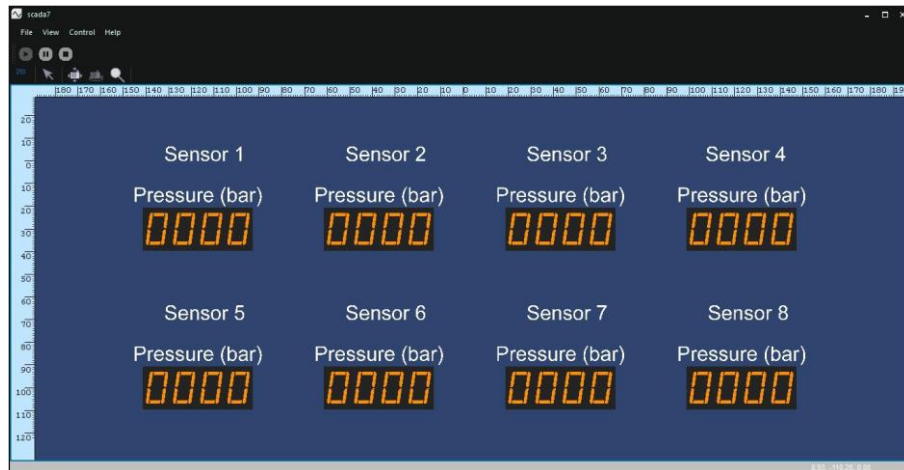
- Manifold assembly
- Operating Manual
- Basic spares kit
- Free windows software for sensor output display.



info@DragonROV.com

Specifications

Pressure rating	3000psi (210bar) standard, 5000psi optional.
Power requirement	24Vdc
Communication type	RS232



Software features include easy setup for:

- COM port selection
- Baud rate selection
- Reading gain and offset for each channel, for correct scaling.
- Sensor channel labelling

Information contained in this data sheet is up-to-date and correct as at the date of issue. All product designs, specifications and data are subject to change without notice to improve reliability, function, design or otherwise. No express or implied warranties are given.