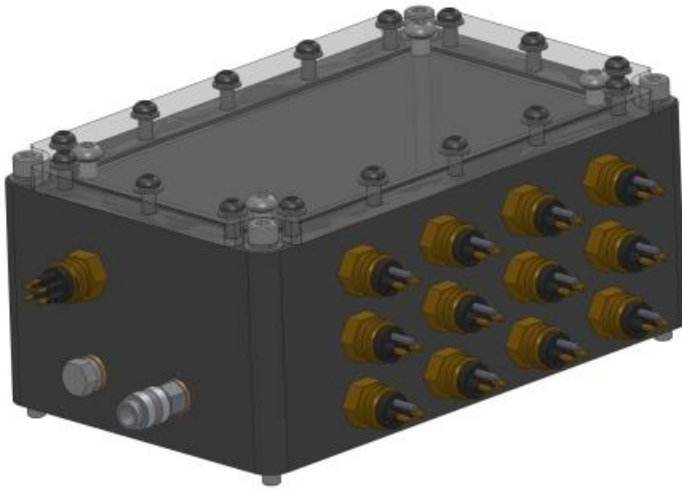


DragonROV

Intelligent Subsea Equipment



Description:

A 12 sensor interface unit that can read any combination of 0-5Vdc, 0-10Vdc, or 4-20mA sensors. Powered by a 110Vac supply the individual sensor power supplies can be remotely turned on and off over the serial RS232/485 data link. A basic windows GUI for sensor output is included as is the data protocol for integration into a larger system.

12 sensor interface unit.

MAIN FEATURES

- 115Vac supply power to internal transformer.
- 12 input sensor channels.
- Individually switched power to each sensor channel.
- 50VA internal transformer.
- RS232/485 serial data connection.

Further Information

Advanced spares kits also available

Equipment supplied

Standard tool supply includes

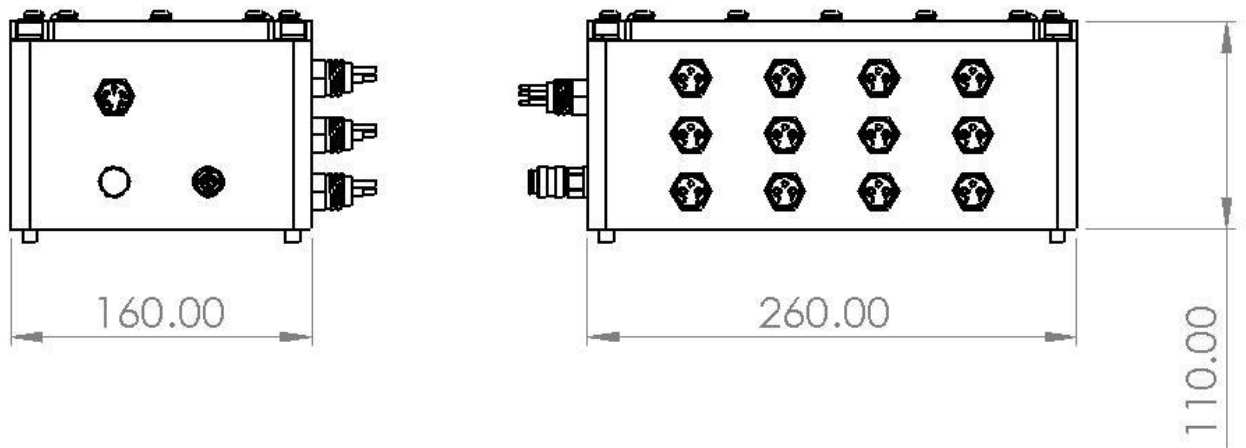
- Sensor interface unit
- Operating Manual
- Basic spares kit (seal set)



info@DragonROV.com

Specifications

Weight in Air	TBC
Weight in sea water	TBC
Number of sensor channels	12
Transformer power	50VA
Transformer supply voltage	115Vac
Transformer output voltage	24Vdc
Sensor supply voltage	12Vdc
Sensor types	0-5Vdc, 0-10Vdc, 4-20mA



Options

- Internally compensated housing (increase in size)
- Video channel switcher

Information contained in this data sheet is up-to-date and correct as at the date of issue. All product designs, specifications and data are subject to change without notice to improve reliability, function, design or otherwise. No express or implied warranties are given.